

Fiberglass Type 4X Wall-Mount Enclosures with 3-Point Latch



Application

These single-door fiberglass enclosures provide industry-leading protection for housing electrical components and controls in washdown or corrosive environments. Hoffman's exclusive Type 316L stainless steel small POWERGLIDE[®] padlocking handle and internal 3-point latching combine ease of access with security. These enclosures are well-suited for indoor and outdoor applications that are frequently wet or exposed to other corrosive agents. Typical applications include petrochemical plants, pulp and paper processing, and water treatment facilities.

Construction

- Fiberglass-reinforced material has excellent temperature and chemical resistance qualities and exhibits outstanding physical properties
- Internal 3-point latch and Type 316L stainless steel padlocking POWERGLIDE handle assure security and a water-tight seal while still allowing convenient access
- Seams are sealed, no holes or knockouts
- Seamless foam-in-place gasket assures water-tight and dust-tight seal
- Fiberglass material is easily punched, drilled, filed, or sawed
- Data pocket is high-impact thermoplastic
- Copper flashed steel collar studs for mounting optional panels and terminal block kits

Finish/Color

Fiberglass enclosure is gray inside and out. Optional steel panels are white. Handle is electropolished. Optional unpainted aluminum and composite panels are available in select sizes.

Patent pending for handle.

Industry Standards

UL 508A, 508 File No. E61997: Type 3, Type 3R, Type 4, Type 4X, Type 12, and Type 13
NEMA/EEMAC Type 3, Type 3R, Type 4, Type 4X, Type 12, and Type 13
Enclosure flammability rating per UL 508
cUL CSA-C22.2 No. 94: Type 3, Type 3R, Type 4, Type 4X, Type 12, and Type 13
IEC 60529, IP66
Meets Type 3RX requirements

Accessories

See Specifier's Guide, Chapter 12, General Accessories.

• Panels (see table)
• Stainless Steel Window Kits
• Terminal Block Kit Assembly
• Thermal Accessories

Modification Services Program

You can customize this product to your unique requirements by specifying from these options:

- Colors
- Holes and cutouts in body, doors, subpanels
- Subpanels
- Environmental control (louvers, fans, filters)
- Windows
- Standard accessories

For details, see Modification Services at hoffmanonline.com. To order, contact your local Hoffman sales representative.

NOTE: For information about modifications outside the scope of the Modification Services program, contact your Hoffman sales representative.

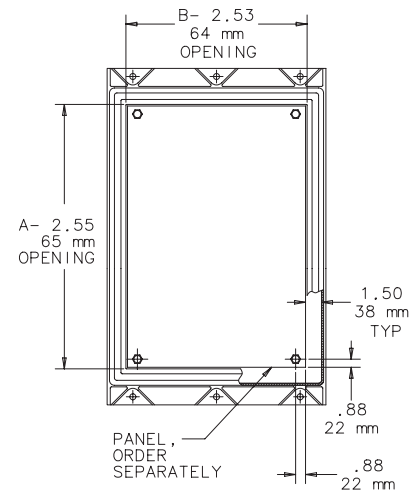
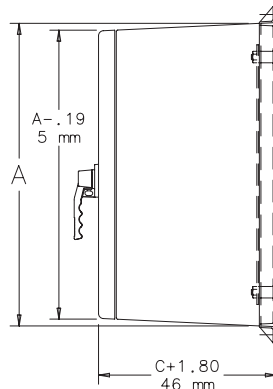
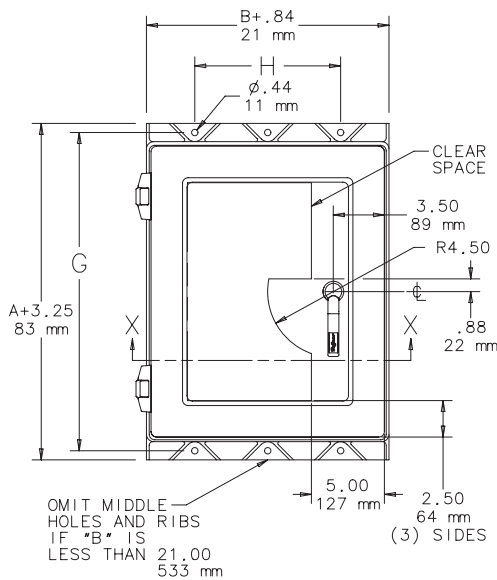
Fiberglass Type 4X Wall-Mount Enclosures with 3-Point Latch



Standard Sizes Fiberglass Type 4X Wall-Mount Enclosures

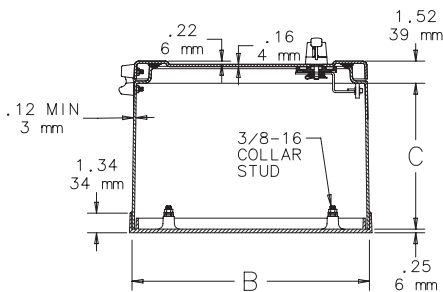
Enclosure Catalog Number	Enclosure Size				Panel ^a Catalog Number		Panel Size Height		Width		Mounting G		H		
	A in.	mm	B in.	mm	C in.	mm	in.	mm	in.	mm	in.	mm	in.	mm	
A24H2006GQRLP3PT	24.25	616	20.25	514	6.00	152	A24P20	21.00	533	17.00	432	25.86	657	14.00	356
A20H2008GQRLP3PT	20.19	513	20.25	514	8.00	203	A20P20	17.00	432	17.00	432	21.81	554	14.00	356
A24H2008GQRLP3PT	24.25	616	20.25	514	8.00	203	A24P20	21.00	533	17.00	432	25.86	657	14.00	356
A24H2408GQRLP3PT	24.19	614	24.19	614	8.00	203	A24P24	21.00	533	21.00	533	25.81	656	18.00	457
A30H2408GQRLP3PT	30.25	768	24.25	616	8.00	203	A30P24	27.00	686	21.00	533	31.95	812	18.00	457
A36H3008GQRLP3PT	36.25	921	30.25	768	8.00	203	A36P30	33.00	838	27.00	686	37.58	955	24.00	610
A24H2010GQRLP3PT	24.25	616	20.25	514	10.00	254	A24P20	21.00	533	17.00	432	25.86	657	14.00	356
A30H2410GQRLP3PT	30.25	768	24.25	616	10.00	254	A30P24	27.00	686	21.00	533	31.95	812	18.00	457
A24H2412GQRLP3PT	24.19	614	24.19	614	12.00	305	A24P24	21.00	533	21.00	533	25.81	656	18.00	457
A30H2412GQRLP3PT	30.25	768	24.25	616	12.00	305	A30P24	27.00	686	21.00	533	31.95	812	18.00	457
A36H3012GQRLP3PT	36.25	921	30.25	768	12.00	305	A36P30	33.00	838	27.00	686	37.58	955	24.00	610

^a Purchase panels separately.



Front View with Door Removed

87786694



SECTION X-X

NOTE: Large data pocket provision when $A=30.00$ in. (762mm) or more. Data pocket is furnished but not installed. Large data pocket is 12.00 x 12.00 in. (305 x 305mm); small data pocket is 6.00 x 6.00 in. (152 x 152mm).